

Tastu Display (DIS/Gx)



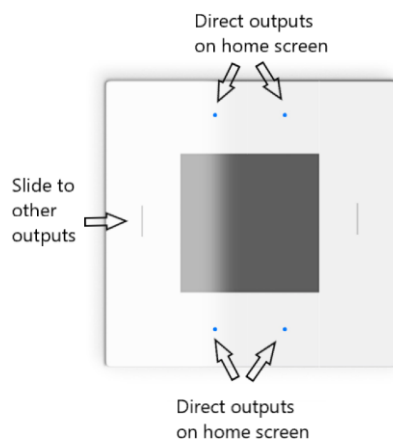
1. Product description

The Tastu Display Room Controller is a control panel consisting of a glass plate with an integrated OLED display. By touching the indicators on the glass plate, the OLED display will show different outputs that can be controlled. The Tastu Display comes with a frame for wall-mounting. A Qbus bus connection with connector (no polarity) is provided and supplies the power and control of the module.

The Tastu Display also contains a built-in proximity sensor to activate the display only when needed. This prevents light pollution in bedrooms, and prolongs the life of the display. The proximity sensor makes sure that the display lights up when coming near the display. The proximity sensor can also be disabled if required.

In the Qbus System Manager III configuration software, a control table for the Tastu Display can be created. In total, 20 outputs can be controlled via the Tastu Display. Four outputs can be controlled directly from the home screen, and an additional 16 outputs can be selected and controlled using the slider on the left side of the Tastu Display. This display is available in black (DIS/GB) and white (DIS/GW)

1.1 The home screen



The Tastu Display has a default home screen with 4 possible outputs that can be controlled using the buttons above:



The LED's will represent the status of the output, the icon doesn't.

Pressing the left slider will open a menu with up to 16 other outputs that can be controlled.

Stepping through the different outputs can be done by sliding over the left slider. For every output-detail in the menu applies the same rule:

- Only the buttons on which the LED's lit up can be controlled.
- The two top buttons (if lit up) can be used to scroll through multiple pages.
- The right slider (if lit up) is used to change a value from 0 to 100%. Small steps (push just above or below the white led) or larger steps (push further away from the white led) can be used.
- The buttons on the bottom can be used to switch an output off (left button, 0%) or on (right button, 100%).

1.2 Toggle output



The toggle output can only be controlled with the buttons at the bottom.

Tastu Display (DIS/Gx)

1.3 Dimmer output



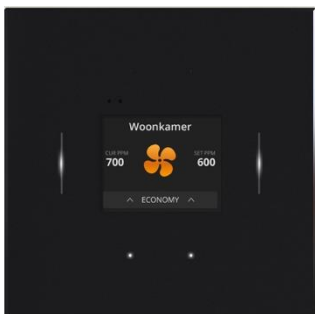
The dimmer output can be turned on or off with the buttons at the bottom, the slider on the right can be used to adjust the percentage of the dimmer.

1.4 Thermostat output



The Tastu Display has an integrated temperature sensor, and hence also functions as the local thermostat. The Qbus-connected HVAC system can be controlled via the Tastu Display: up to 5 different preset programs can be configured (e.g. Economy, Comfort, Night, ...), or the temperature can be set manually using the slider on the display. Measuring and displaying 0°C to 63,5°C

1.5 HVAC output



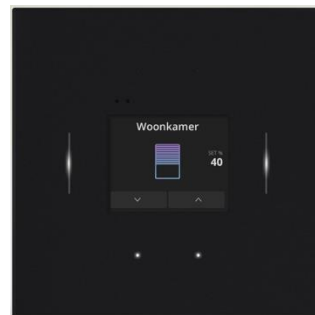
The HVAC output can be controlled identical to the thermostat output.

1.6 Shutter (up/down) output



The shutter can be controlled by using the buttons at the bottom.

1.7 Shutter (with positioning) output



The shutter with positioning can be controlled identical to the dimmer output where the slider on the right can be used to adjust the percentage of the shutter.

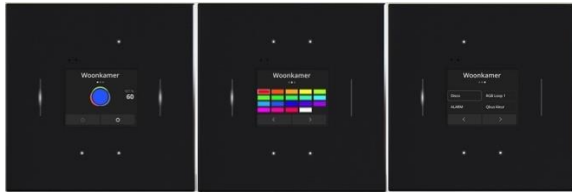
1.8 Shutter (with blind control) output



The shutter output with blind control can be used identical to the shutter module with positioning. The positioning of the blinds can be changed in a second page. The buttons on the top are used to switch between the two pages.

Tastu Display (DIS/Gx)

1.9 Multicolour output



The multicolour output can be controlled:

- Page 1: On/Off (bottom buttons) or dim-level (right slider)
- Page 2: The colour can be changed by stepping through the colours using the buttons at the bottom
- Page 3: Select a movie (bottom buttons)

1.10 Scene



Activating a scene can be done by using one of the 2 buttons at the bottom.

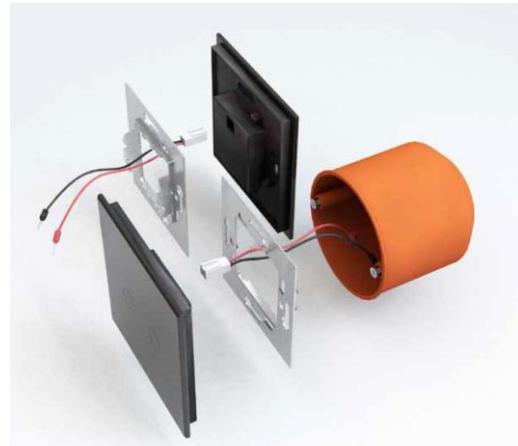
2. Safety rules

Read the entire manual before installing the module and activating the system.

NOTE

- The module must be installed, started and maintained by a qualified electrician in accordance with the applicable national legal regulations.
- The device may be used for permanent interior installations in dry locations within box mounts.
- The device must not be installed in box mounts together with 230V devices.
- Do not connect or disconnect the Tastu Display while the bus is under tension.
- The module may not be opened. The warranty will expire once the module is opened!

3. Installation and wiring



Install a European size wall box (with screws) in the wall. Screw the metal frame (included with the switch) on the wall box; make sure that the top of the frame is level. Connect the included bus connector on the back of the Tastu Display (make sure the serial number is horizontal and readable – this is how the display needs to be inserted into the frame). The four connection pins on the back of the Tastu Display can be gently pushed in the cavity of the metal frame. **IMPORTANT :** THE BUS MUST NEVER COME INTO CONTACT WITH THE EARTHING OR A LIVE WIRE!

4. Technical data

General specifications:

- Power supply: bus connection
- Ambient temperature:
Operating temperature: 10°C to 50°C
Temperature in storage room: -10°C to 70°C
- Maximum humidity: 93%, no condensation
- Bus load: 53mA (peak) at nominal voltage 13.8V.
- Maximum installation height: 2,000 metres.

Physical specifications:

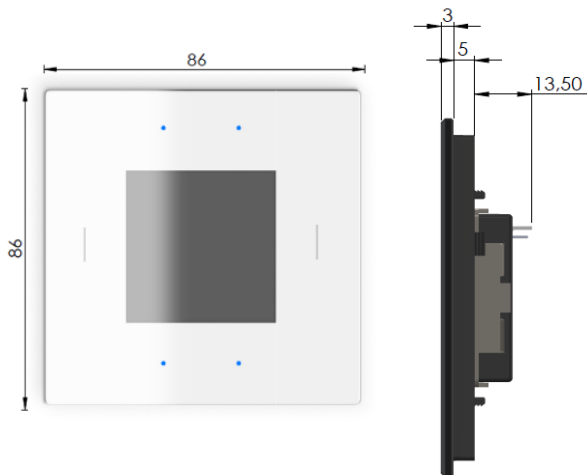
- Housing: glass + plastic cover on the back.
- Protection Degree: IP20, EN 60529
- Dimensions (HxW): 86mm x86mm, 13,5mm depth
- Weight: approximately 0.145 kg

Electrical security:

- Bus: 13.8 VDC low voltage.
- In accordance with EN60950 – 1: 2006
- Non-toxic, in accordance with WEEE/RoHS
- Complies with the EMC regulations and low voltage regulations. The device complies with EN50491-5-1, EN50491-5-2, EN55022, EN 61000-4-2, EN61000-4-3, EN61000-4-4, EN61000-4-5, EN61000-4-6

Tastu Display (DIS/Gx)

5. Dimension diagram



6. Guarantee provisions

Period of guarantee: 2 years from date of delivery. Warranty is void when the module has been opened! Any faulty devices should be send postage-free with a description of the defect to our central customer service office:

Qbus N.V.

Joseph Cardijnstraat 19

B-9420 Erpe-Mere

Belgium

Tel: +32 (0)53 60 72 10

Fax: +32 (0) 53 60 72 19

Email: support@qbus.be