

# TASTU® SMART SWITCHES



## 1. Product Description

The Smart Tastu® switches are used to control a Qbus installation. These switches don't have any mechanical push buttons, but contain touch sensors which are embedded in the glass front plate of the switch. Via these capacitive touch areas, users can control all technical systems in an area, on a floor, in a building.

The Tastu® switches contain 1, 2 or 4 touch areas, to control 1, 2 or 4 outputs. The touch areas are indicated by circles, lit up by color leds. These leds shine at full intensity when the allocated output is active. When the output is not active, the led will shine slightly or not at all; this can be defined in the Qbus configuration software. Just as with the other Smart Qbus switches, the color of the leds can be defined based on the requirements of the customer.

The glass front plate on the Tastu® switches is fingerprint-proof: a special coating on the glass prevents that fingerprints remain on the glass.

The 2- and 4-button Smart Tastu® switches hide a useful second page. When both touch areas on the 2-button switch or both touch areas on the left or both on the right on the 4-button switch are touched at the same time, a second page emerges on which another 2 (for the 2-button) or 4 (for the 4-button) output controls are possible. As long as the switch is on the second page, the leds will be flashing (and have a different color – to be defined in the Qbus configuration software) – after 4 seconds without touching the switch, the switch will automatically return to the first page.

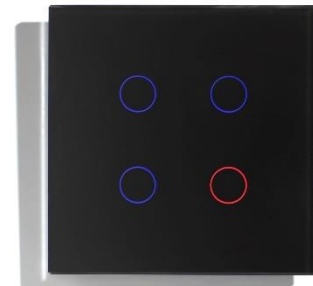
The Smart Tastu® switches are equipped with a bus connector without polarity. The bus supplies the power and control of the module.

One touch sensor can operate one output, 2 scenes (short or long push) and through sequences up to 16 scenes.

Each switch has a unique serial number via which the switch can be programmed. The Qbus configuration software allocates an output name or scene to each button. During installation always make sure the number is located on the upper side and readable. If the same output name is attributed to several buttons on the same module, these buttons will as it were be located in parallel. By attributing the same output names to several modules a switch connection or cross connection is created.

The switch can also contains interactive functions. When receiving external signals (so called alarm codes) the function of the button as well as the LED can be temporary altered for some or all the buttons. Some examples: flashing LEDs and locking pushbuttons when breaking-in, flashing LEDs when the doorbell rings, etcetera.

## 2. Version with temperature sensor



The 2- and 4-button Tastu is also available with built-in temperature sensor. These switches can be used to control the temperature in the room: the temperature sensor measures the room temperature, and via the Qbus controller valves and/or pumps are controlled based on the room temperature and required temperature. One of the push buttons of the Tastu can be used to select the required temperature regime – the selected regime is shown via the RGB LEDs of the push button (Manual = White, Anti-freeze = Blue, Economy = Orange, Comfort = Red, Night = Green).

In the Qbus configuration software, a thermostat output can be created, which on its turn generates 4 outputs:

1. Heating = the ambient temperature is below the selected program, the heating output switches on.
2. Turbo = the ambient temperature is below the selected program with a value higher than a set limit, the turbo output switches on (heating boost).

# TASTU® SMART SWITCHES

3. Alarm = the ambient temperature is outside the minimum or maximum temperature limits, the alarm output switches on.
4. Cooling = the ambient temperature is too high, the cooling output switches on.

More information about the creation of thermostats in Qbus can be found in the Qbus Programming Guide.

### 3. Safety Instructions

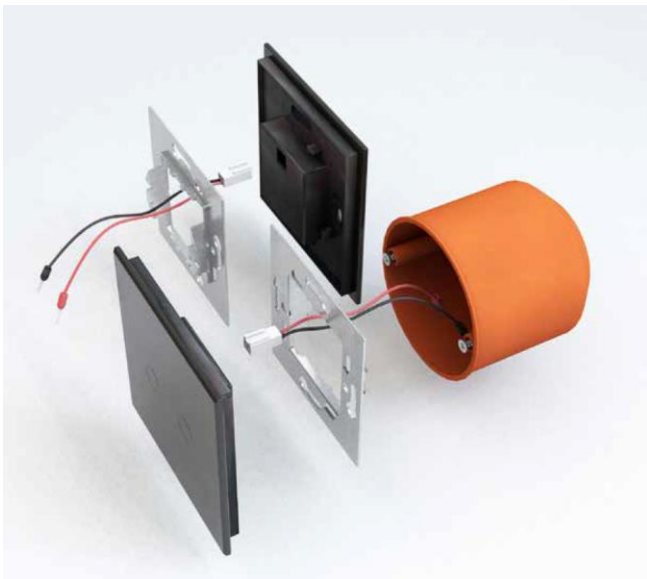
Read the complete manual before carrying out the installation and activating the system.



#### WARNING

- The device must be mounted and commissioned by an authorised electrician in accordance with the country-specific regulations.
- The device may be used for permanent interior installations in dry locations within box mounts.
- The device must not be installed in box mounts together with 230V devices.
- The device must not be opened.

### 4. Mounting and wiring



#### TASTU® INSTALLATION:

Install a wall box (with screws) in the wall. (Installation with claws is possible as well but the TASTU® is not delivered with claws). Screw the metal frame (included with the switch) on the wall box; make sure that the top of the frame is level. Connect the included bus connector on the back of the TASTU® (make sure the serial number is horizontal and readable – this is how the switch needs to be inserted into the frame). The four connection pins

on the back of the TASTU® can be gently pushed in the cavities of the metal frame.

**IMPORTANT: THE BUS MUST NEVER COME INTO CONTACT WITH THE EARTHING OR A LIVE WIRE!**

#### COLOR LEDs:

The Qbus Configuration Software (System Manager) allows you to set the color and intensity of the LEDs. There are 7 predefined colors – or you can create your own color using the R – G – B levels.

#### 2<sup>nd</sup> PAGE :

For the two-button TASTU®: touch both touch areas simultaneously.

For the four-button TASTU®: touch both touch areas on the left or both on the right simultaneously.

The 2<sup>nd</sup> page is indicated by flashing LEDs and/or a different color LED (configurable via the configuration software).

### 5. Technical Data

#### GENERAL SPECIFICATIONS :

- Power supply : bus connection
- Ambient temperature :  
Working temp. range : 10°C to 50°C  
Storage temp. range : -10°C to 60°C
- Maximum humidity : 93%, no moisture condensation
- Bus load : 15mA at nominal 13,8V
- Maximum installation altitude : 2.000m

#### TEMPERATURE SENSOR :

- Range: 0°C - 63,5°C (adaptable)
- Resolution: 0,5°C
- Accuracy:  $\pm 0,5^\circ\text{C}$  between -10°C and +85°C

#### OUTPUTS:

- 1 button TASTU®: 1 touch area with 1 RGB LED to control 1 Qbus output.
- 2 button TASTU®: 2 touch areas with 2 RGB LEDs to control 4 Qbus outputs (two additional outputs via the second page).
- 4 button TASTU®: 4 touch areas with 4 RGB LEDs to control 8 Qbus outputs (four additional outputs via the second page).
- Directly connectable to the 2-wire bus, no polarity.
- Status of LEDs to be set using the Qbus configuration software.

#### PHYSICAL SPECIFICATIONS

- Housing: coated glass + plastic cover on the back.
- Protection Degree: IP20, EN 60529
- Dimensions (HxW): 86mm x86mm, 13,5mm depth

# TASTU® SMART SWITCHES

- Weight: switch approx. 90 grams; metal frame 25 grams.

## ELECTRICAL SAFETY

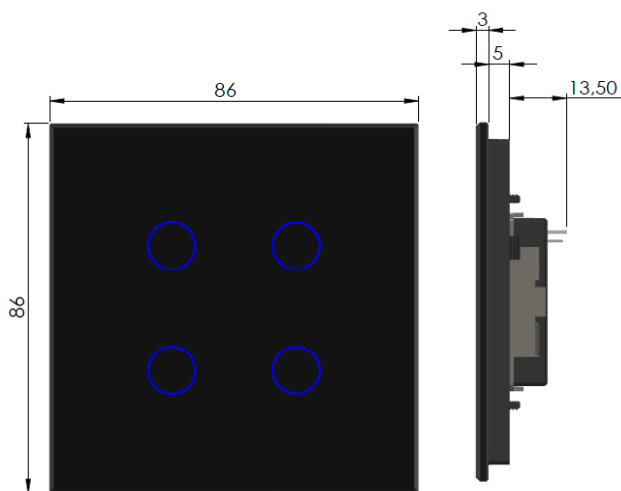
- Bus : 13,8VDC safety extra low voltage (according EN 60950 – 1:2006).

## CE

- Complies with the EMC regulations and low voltage regulations. The device complies with HBES – EN 50090-2-2 and EN 60950 – 1:2006.

## 6. Dimension Diagram

Dimensions in mm.



## 7. Guarantee provisions

Period of guarantee: 2 years from date of delivery.  
Warranty is void when the module has been opened!  
Any faulty devices should be send postage-free with a description of the defect to our central customer service office:

**Qbus N.V.**  
Joseph Cardijnstraat 19  
B-9420 Erpe-Mere  
Belgium  
Tel: +32 (0)53 60 72 10  
Fax: +32 (0) 53 60 72 19  
Email: [support@qbus.be](mailto:support@qbus.be)