

NIKO® SWC04/OPTIONS

The Niko® SWC04 comes standard in 4 different colours : 100 (Cream)/ 101 (White)/ 121 (Sterling)/ 122 (Anthracite). They are also available in any other Niko® color but these require longer lead-times. All Niko® SWC04 can be delivered with three different options or a combination of these three.

neglect the light sensor and only work on the level of movement. The timer is best set to minimum 20secs. If there is any movement during this period, the timer will reset itself to its initial value. The position of the light source has no effect on the proper operation of the light cell.

1. Motion detection SWC04M/...

This module contains an extra motion detector and an integrated light cell. The motion detector has a diameter of only 9mm and is situated between pushbutton 1 and 2. The range is of approximately 7m at an angle of 110 degrees. The light cell is assembled next to the detector. The motion detector is automatically linked to the function of pushbutton 1.

2. Thermostaat SWC04T/...

With the option “thermostat” an extra digital heat sensor is mounted invisible on the print. The 4 pushbuttons keep their free function but a thermostat output is now available and can be used to control the temperature in the room.



Niko® SWC04M/100 Cream



Niko® SWC04M/101 White



Niko® SWC04T/100 Cream



Niko® SWC04T/101 White



Niko® SWC04M/121 Sterling



Niko® SWC04M/122 Anthracite



Niko® SWC04T/121 Sterling



Niko® SWC04T/122 Anthracite

The System Manager Software allows you to determine the priority between the detector and another pushbutton used for the same output. The output connected to the detector should always have a TIMER5 Detector mode. The pushbutton itself is a TIMER5 Manual. At the same time, you can indicate the level of movement at which the detector needs to detect together with the light level. It's even possible to

The thermostat can be regulated by 5 programs: Manual, Anti-freeze, Economy, Comfort and Night. Each program has its own temperature setting and the RGB LED is used to indicate which program is running. Up to 4 outputs are instantly generated by the System Manager and can be used in any relay module:

1. Heating = the ambient temperature is below the selected program; the heating output switches on.

NIKO® SWC04/OPTIONS

2. Turbo = the ambient temperature is below the selected program with a value higher than a set limit, the turbo output switches on (heating boost).
3. Alarm = the ambient temperature is outside the minimum or maximum temperature limits, the alarm output switches on.
4. Cooling = the ambient temperature is too high, the cooling output switches on.

For the heating and cooling outputs, the hysteresis can be set between 0.5°C and 5°C.

3. Beweging/ Thermostaat

The Niko switches are also available with the combination of motion and temperature sensors. In that case they have the same look as the switches with only motion sensor. The motion detector is automatically linked to the function of pushbutton 1. The temperature sensor is mounted invisibly on the print.

4. Safety Instructions

Read the complete manual before carrying out the installation and activating the system.



- The device must be mounted and commissioned by an authorised electrician in accordance with the country-specific regulations.
- The device may be used for permanent interior installations in dry locations within box mounts.
- The device must not be installed in box mounts together with 230V devices.
- The device must not be opened.

5. Mounting and wiring

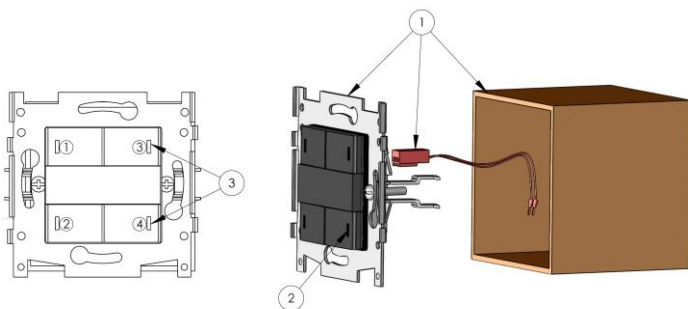


Figure 2 : Connection Niko® switch SWC04.

FITTING NIKO® ①:

Mount the switch into a mounting box and secure with the claw attachment. Connect the bus cable to the back of the switch.

IMPORTANT :

THE BUS MUST NEVER COME INTO CONTACT WITH THE EARTHING OR A LIVE WIRE!

RGB LEDs ②:

The Serial Manager allows you to set the colour and the intensity of the LEDs.

2^{DE} PAGINA ③:

Push both pushbutton 1 and 2 (left top and bottom) or 3 and 4 (right top and bottom) for a couple of seconds. The second page will be indicated by flashing LEDs and/or different color of the LED (configured via the System Manager Software).

6. Technical data

GENERAL SPECIFICATIONS :

- Power supply : bus connection
- Ambient temperature :
 Working temp. range : 10°C to 50°C
 Storage temp. range : -10°C to 60°C
- Maximum humidity : 93%, no moisture condensation
- Bus load : 8mA at nominal 13,8V
- Maximum installation altitude : 2.000m

OUTPUTS :

- 4 Pushbuttons and 4 RGB LEDs (8 outputs via 2nd page)
- Directly connectable to the 2-wire bus, no polarity.
- Status of LEDs to be set using the software.

PHYSICAL SPECIFICATIONS

- Housing : Plastic
- Protection Degree : IP20, EN 60529
- Dimensions (HxW) : 71mm x 73mm
- Weight : approx. 0,058 kg

ELECTRICAL SAFETY

- Bus : 13,8VDC safety extra low voltage (according EN 60950 – 1:2006).

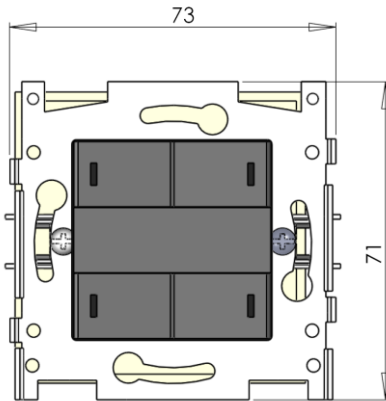
CE

- Complies with the EMC regulations and low voltage regulations. The device complies with HBES – EN 50090-2-2 and EN 60950 – 1:2006.

NIKO® SWC04/OPTIONS

7. Dimension Diagram

Dimensions in mm.



8. Guarantee provisions

Period of guarantee : 2 years from date of delivery.

Any faulty devices should be send postage-free with a description of the defect to our central customer service office :

QBUS N.V.

Joseph Cardijnstraat 31

9420 Erpe-Mere

Belgium

T +32 53 60 72 10

F +32 53 60 72 19

Email : support@qbus.be