

Qbus Dali Interface Module – QDI01



Figure 1 : Qbus DALI interface QDI01

1. Product Description

Module for DIN-rail, suitable for configuring and controlling a DALI bus from a Qbus system.

The module can control 64 individual addresses and 16 group addresses. Each individual address can be set as master or as slave of the DALI bus. For each individual address and each group address a minimum dimmer level can be set.

A separate power supply for the DALI bus needs to be foreseen (QDIPWS)

Each module has a unique serial number enabling programming anywhere and anytime. All programming remains internally stored in a nonvolatile memory.

2. Safety Instructions



WARNING

Read the complete manual before carrying out the installation and activating the system.

- The device must be mounted, commissioned and serviced by an authorized electrician in accordance with the country-specific regulations.

- This device is exclusively suitable for DIN-rail mounting EN50022. It must be mounted in a fire enclosure with ventilation holes.
- The device must not be opened. The guarantee provisions will be void when the module has been opened.
- Electrical shock when live parts are touched.

3. Mounting and wiring

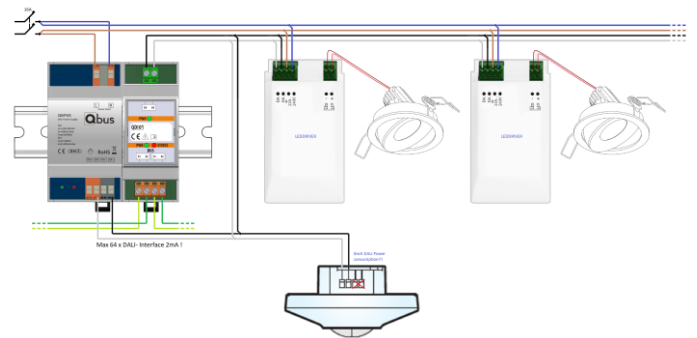
FITTING:

Snap device onto DIN rail to DIN EN50022.

BUS WIRING:

It is recommended to use the Qbus cable or any other cable with minimum 2 x 1mm² conductors as a bus lead. The green protected EIB wire is also allowed when the conductors are guided per 2 in order to obtain a section of minimum 2 x 1mm².

IMPORTANT : THE BUS CABLE SHOULD BE SHIELDED AND GROUNDED! THE GROUNDING SHOULD BE CONNECTED TO THE OVERALL GROUNDING OF THE BUILDING.



DALI WIRING

Use the cable suggested by the DALI standard association (2 conductors, section depends upon length of the cable). The DALI connector has no polarity.

POWER SUPPLY:

The QDI01 is powered by the bus and by the DALI bus

Qbus Dali Interface Module – QDI01

LED INDICATION:

Green lights : power supply from bus and from DALI bus.

Red light : start-up 2 seconds and during programming.

4. Technical Data**GENERAL SPECIFICATIONS :**

- Power supply : bus
- Ambient temperature :
Working temp. range : 10°C to 50°C

Storage temp. range : -10°C to 60°C
- Maximum humidity : 93%, no moisture condensation
- Bus load : 12mA at nominal 13,8V
- Max installation altitude : 2.000 meters.

DALI BUS

- Power supply : DALI bus
- Max sink current : 128mA

PHYSICAL SPECIFICATIONS

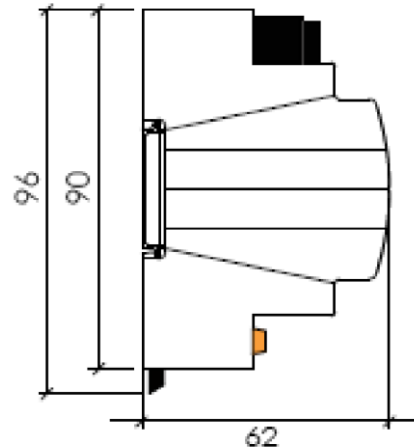
- Housing : Plastic, self-extinguishing according to UL94-V0
- Protection Degree : IP20, EN60529
- Installation : rapid mounting on DIN-RAIL, width 2 modules
- Dimensions (HxWxL) : 62mm x 90mm x 36mm
- Weight : approx. 0,065 kg

CE

- The device complies with the EMC regulations for HBES EN50491-5-1, EN50491-5-2 (EN55022, EN61000-4-2, EN61000-4-3, EN61000-4-4, EN61000-4-5, EN61000-4-6).
- Electrical safety: Bus 13,8VDC safety extra low voltage and Dali 16VDC safety extra low voltage
- WEEE compliant
- RoHS compliant

5. Dimension Diagram

Dimensions in mm.



Width = 2 modules.

1 Module = 17 mm.

5. Guarantee provisions

Period of guarantee: 4 years from date of delivery. Guarantee will not be accepted if the device has been opened!

Any faulty devices should be send postage-free with a description of the defect to our central customer service office :

QBUS N.V.

Joseph Cardijnstraat 19
9420 Erpe-Mere
Belgium

T +32 53 60 72 10

F +32 53 60 72 19

Email : support@qbus.be