

Qbus Wireless 4-channel flush-mounted transmitter (QWE INP04/bat)



1. Product description

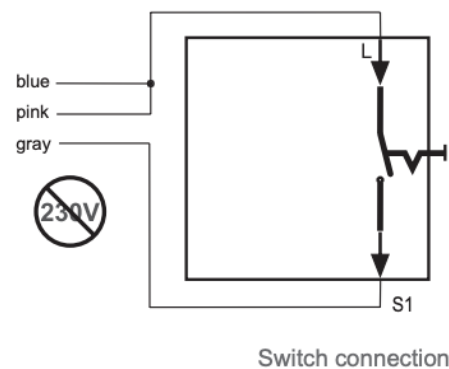
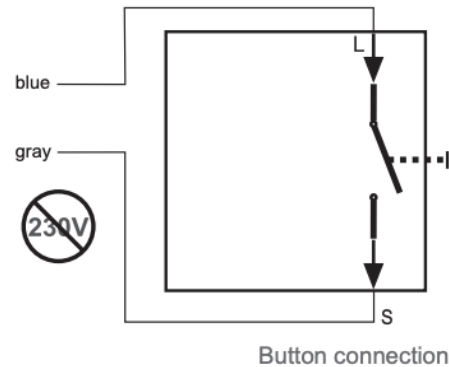
The QWE INP04/bat is a battery-powered wireless transmitter, which has up to four potential-free contacts.

You can connect up to four push-buttons or up to two switches to the QWE INP04/bat.

This product is ideal for converting existing switches or push-buttons into intelligent switches or push-buttons that execute Qbus controls (can be configured with System Manager III), without cutting or demolition work.

2. Commissioning

1. Follow the wiring diagram, depending on the type of control (push-button or switch):
 - a. For the push-button, the common wire is the blue wire, and the four push-buttons are connected to the grey, yellow, green and brown wires.
 - b. For the switch, connect the pink wire to the common blue wire and connect the two switches between the blue and grey or green wires.
2. Follow the System Manager III instructions to add the QWE INP04/bat to the configuration and to teach it to the QWI/EW.



3. Check battery

The module verifies the battery voltage:

- Each time the contact status changes (transmission of the new status)
- At least once every 24 hours after being operated.

As soon as the battery status is found to be weak, a 'Battery Low' signal is transmitted at least once every four hours.

Once the battery is empty, the red LED will blink briefly three times at 20-second intervals and the voltage-too-low telegram will be transmitted automatically. It is recommended to replace the battery now. (See 'Replacing the battery')

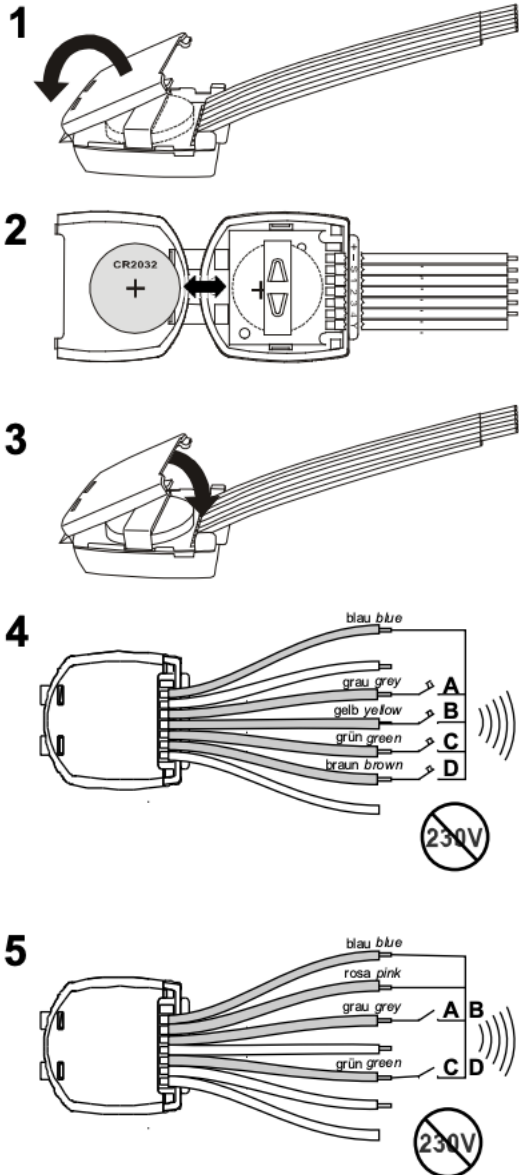
If the voltage drops further, the module will switch itself off and no more status changes will be sent.

4. Replacing the battery

1. Open the housing.
2. Remove the battery from the holder and replace it with a new battery. Only use batteries of type CR2032. **Make sure that the positive pole is visible at the top!**
3. Close the housing again by clicking it shut.
4. If you have disconnected the wiring, check the connection again.

Qbus Wireless 4-channel flush-mounted transmitter (QWE INP04/bat)

Please note: The module retains its link with the QWI/EW, you don't need to take more steps for this.



5. Solving problems

If the receiver fails to respond to this module:

- Check the battery status.
- Check that the wireless connection in the installation between this module and the QWI/EW is not disrupted.

- Check the configuration of the QWI/EW and whether the link with this module is still active.
- Check that other wireless devices with the same frequency, or that work at almost the same frequency, are not disrupting this product's operation.

6. Safety rules

Read the entire manual before installing the module and activating the system.

WARNING

- The device must be mounted and commissioned by an authorised electrician in accordance with the country-specific regulations.
- The device may not be opened, except as described for replacing the battery. The guarantee provisions will be void if the module has been opened.
- Keep batteries away from children.

7. Technical data

General specifications

- Power supply: 1x 3V battery, CR2032
- Current consumption when transmitting: 12 mA
- Current consumption in normal state:
 - Push-button: 2.5 μ A
 - Switch: 5 μ A
- Radiated power: 0.47 mW
- Modulation coding: FSK
- Wireless protocol: EasyWave A/B
- Range: free field: 150 m; buildings: 30 m
- Ambient temperature: -20°C to 60°C
- Maximum humidity: 93%, no condensation
- Maximum installation height: 2,000 metres

Physical specifications

- Protection grade: IP20, EN60529
- Transmitter dimensions: 37 mm x 30 mm x 10 mm
- Transmitter weight: approx. 12 g

CE marking

- In accordance with EMC and low voltage regulations. The module corresponds with EN 61000-4-2 and 50090-2.

8. Guarantee provisions

Period of guarantee: Two years from date of delivery. The guarantee does not apply if the module is opened!

Any faulty modules should be sent postage-free with a description of the defect to our customer service:

QBUS N.V.
Joseph Cardijnstraat 19
9420 Erpe-Mere
Belgium

T +32 53 60 72 10
F +32 53 60 72 19
Email: support@qbus.be